

# Microprocessor Digital DC Current Simulating

MODEL **DMX**

## Features:

- Dual Aux. Power 110/220V AC
- High Accuracy 0.1% FS + 1 Count



Ordering : DMX —  —

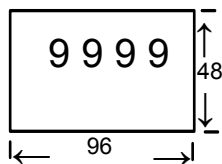
Output Signal		Aux. Power	
A	0 ~ 20mA	A	AC 110/220V (Dual Power)
B	4 ~ 20mA	F	AC/DC 85 ~ 265V
Y	Other		

Specify code number and variable.  
Code number: model – output – power  
(e.g. DMX – B – A )

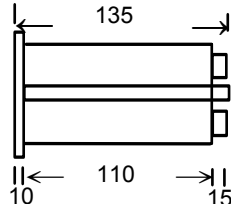
## SPECIFICATIONS:

Accuracy	: 0.1%FS + 1 Count at 23°C±3°C.
Display Range	: 0.56" Super Rate LED 4-1/2, 5 Digits, ±19999 Counts. Display Range User Selectable.
Output Capability	: 0 ~ 120%.
Stability	: ≤0.2%/Year.
Operating Condition	: -10°C ~ +55°C 20 ~ 95% RH Non-Condensed.
Storage Condition	: -40°C ~ +75°C 20 ~ 95% RH Non-Condensed.
Power Supply	: AC or DC ±20%, 50 / 60Hz.
Outline Dimension	: 1/8 DIN 96W X 48H X 135D mm.
Mounting	: Panel Flush Mounting.

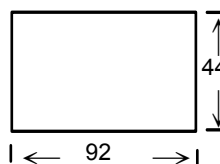
FRONT VIEW( mm)



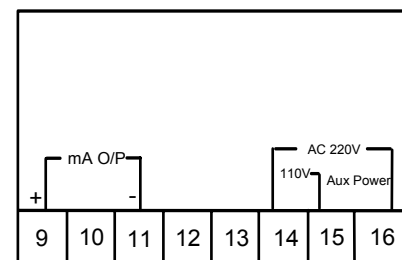
SIDE VIEW

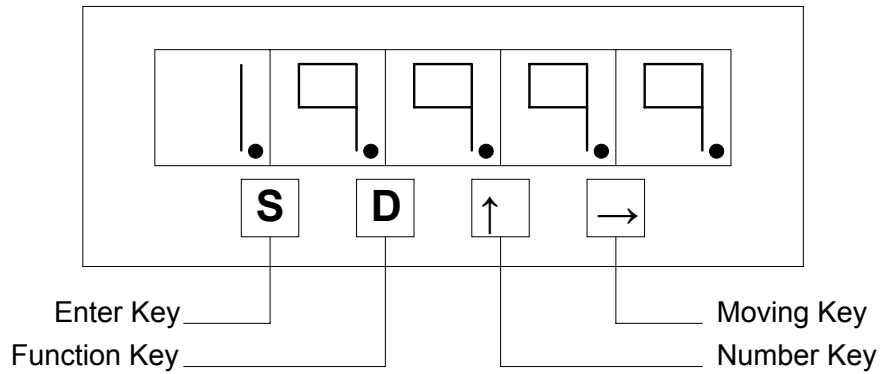


CUT OUT



Terminal Connection





The setting functions divided into two categories :  
 (A) Input/Output/Display Functions  
 (B) Contact Point S1/S2 Setting

Procedures :

- (1) Press "S" key, display "00" blinking
- (2) Press "D" key, enter "01"~"09" functions
- (4) Press "→" key, to change position.
- (5) Press "↑" key, to change number.

Repeat procedure (1)~(5).

Press "D" and "→" at the same time for QUIT.

PRESS "D" TO SAVE SETTING VALUE AFTER "09".

(A) Input/Output/Display Functions "02"~"09" :

- 02 Lowest display value(OFFSET), -19999 ~ +19999.
- 03 Highest display value(GAIN), -19999 ~ +19999.
- 04 Decomal point, change decimal point position.
- 09 Special function : Save, Reset, Uni or Bi Directions etc..  
**DISPLAY "99" PRESS "D" TO SAVE "02"~"09" DATA.**